

ANCHORAGE CONNECTORS

COMPATIBILITY OF LOCKING SNAP HOOKS WITH ANCHORAGE CONNECTORS

Locking snap hooks should always be used with compatible anchorage connectors. It is strongly recommended that:

1. The design of the anchorage connector must be such that no dynamic force is applied to the keeper system of the locking snap hook (see Figures 1 and 2).
2. The anchorage connector system should be configured such that the locking snap hook will self-correct under dynamic loading. The anchorage connector system should never be configured such that dynamic loading could be placed on the keeper system.
3. The entire base of the anchorage connector system must be flush with the mounting surface (see Figure 3).
4. The area of the mounting surface for the anchorage connector must be such that no dynamic forces can be placed on the keeper system (see Figure 3).

It is the responsibility of the purchaser to ensure that any component utilized is compatible within the system designed and with other components that may be used in conjunction.

Example of a compatible connection of a locking snap hook with an appropriate anchorage connector

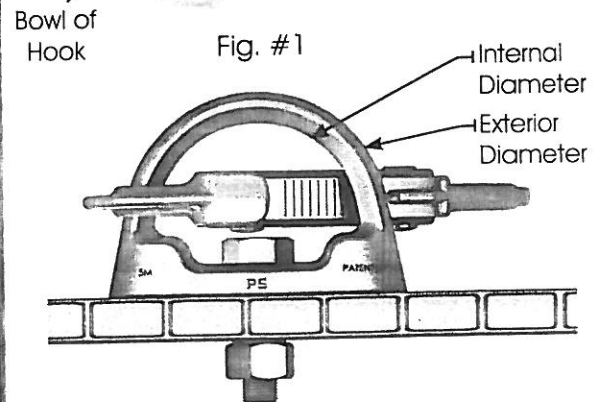
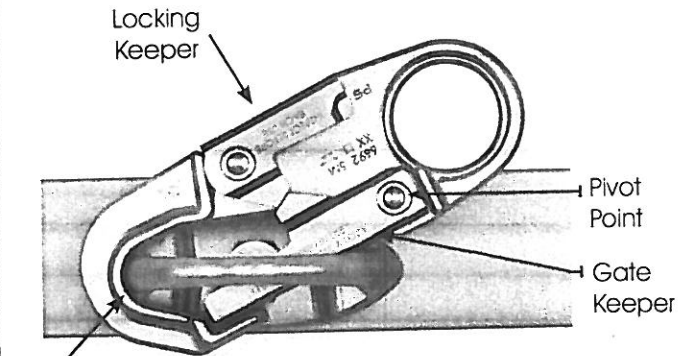
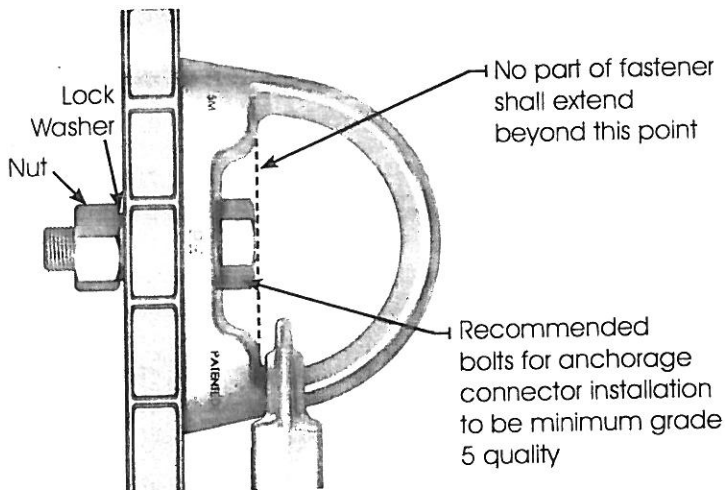


Fig. #1

Fig. #2



Recommended Torque Values:

- 65-75 ft-lb for a 1/2" clearance hole (13 TPI Bolt)
- 145-155 ft-lb for a 5/8" clearance hole (11 TPI Bolt)
- 240-250 ft-lb for a 3/4" clearance hole (10 TPI Bolt)

Example of a compatible connection of a locking snap hook with an appropriate anchorage connector

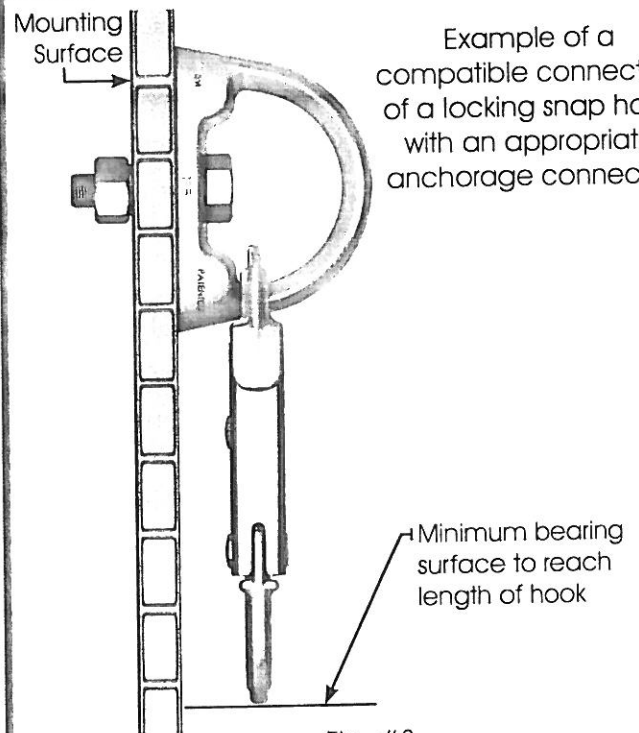


Fig. #3